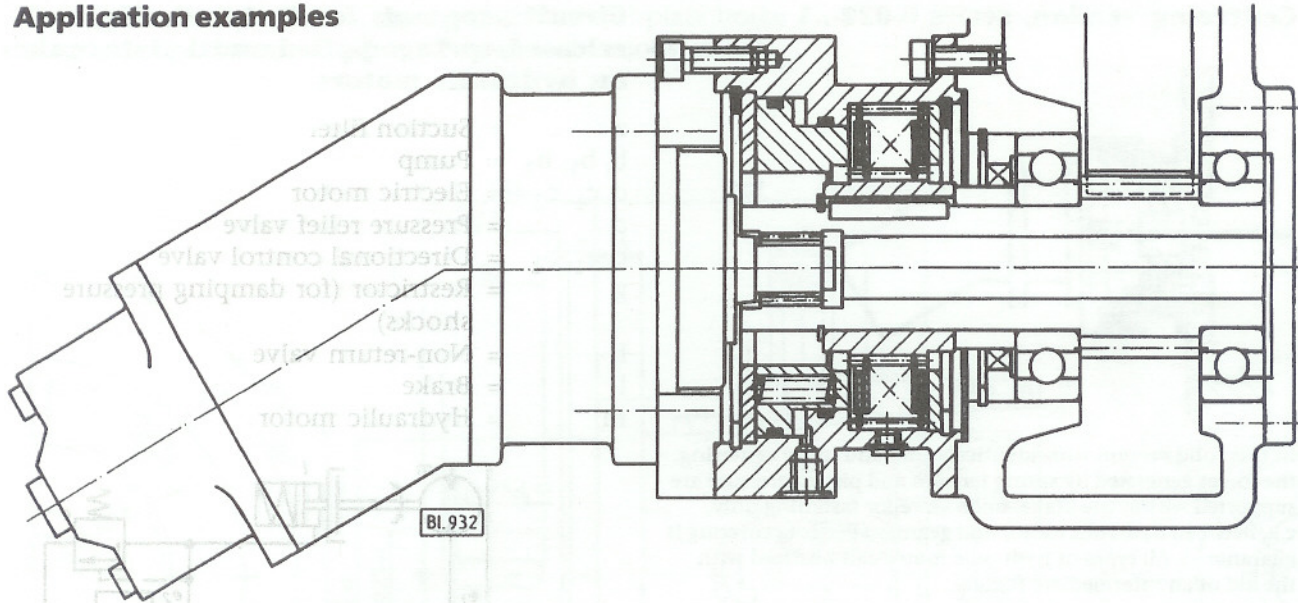
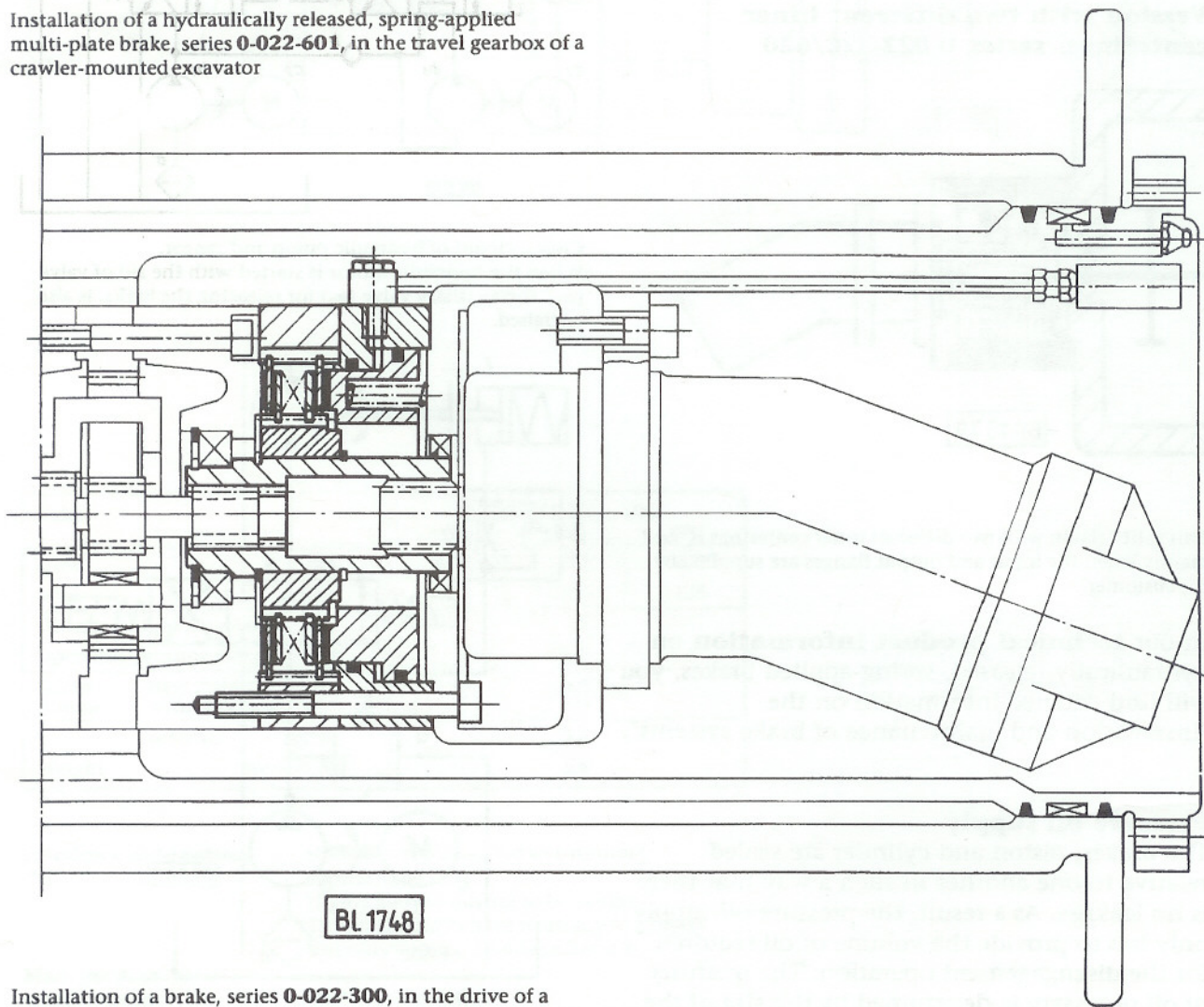


Application examples



Installation of a hydraulically released, spring-applied multi-plate brake, series **0-022-601**, in the travel gearbox of a crawler-mounted excavator



Installation of a brake, series **0-022-300**, in the drive of a hoisting winch.