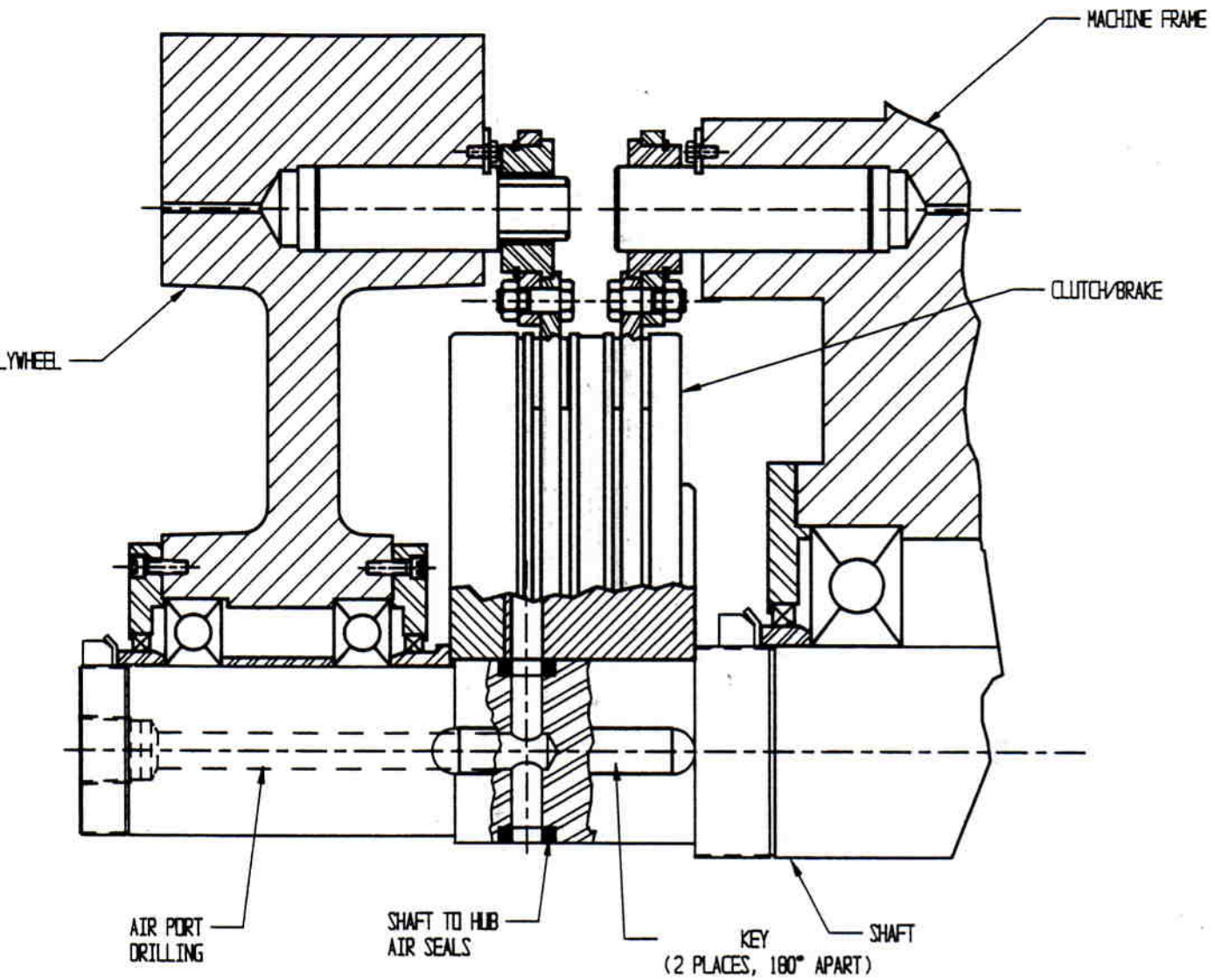


0-406 C/B, INBOARD MOUNT

USING 2 KEYS, 180° APART AND SHAFT TO HUB AIR SEALS



NOTES:

1. BRAKE ANCHOR(S) MAY A PART OF THE MACHINE FRAME AS SHOWN, OR SEPARATE PARTS BOLTED OR WELDED ON.
2. SHAFT TO HUB SEALS ARE SHOWN FOR SEALING SHAFT TO C/B HUB. OTHER METHODS ARE POSSIBLE.