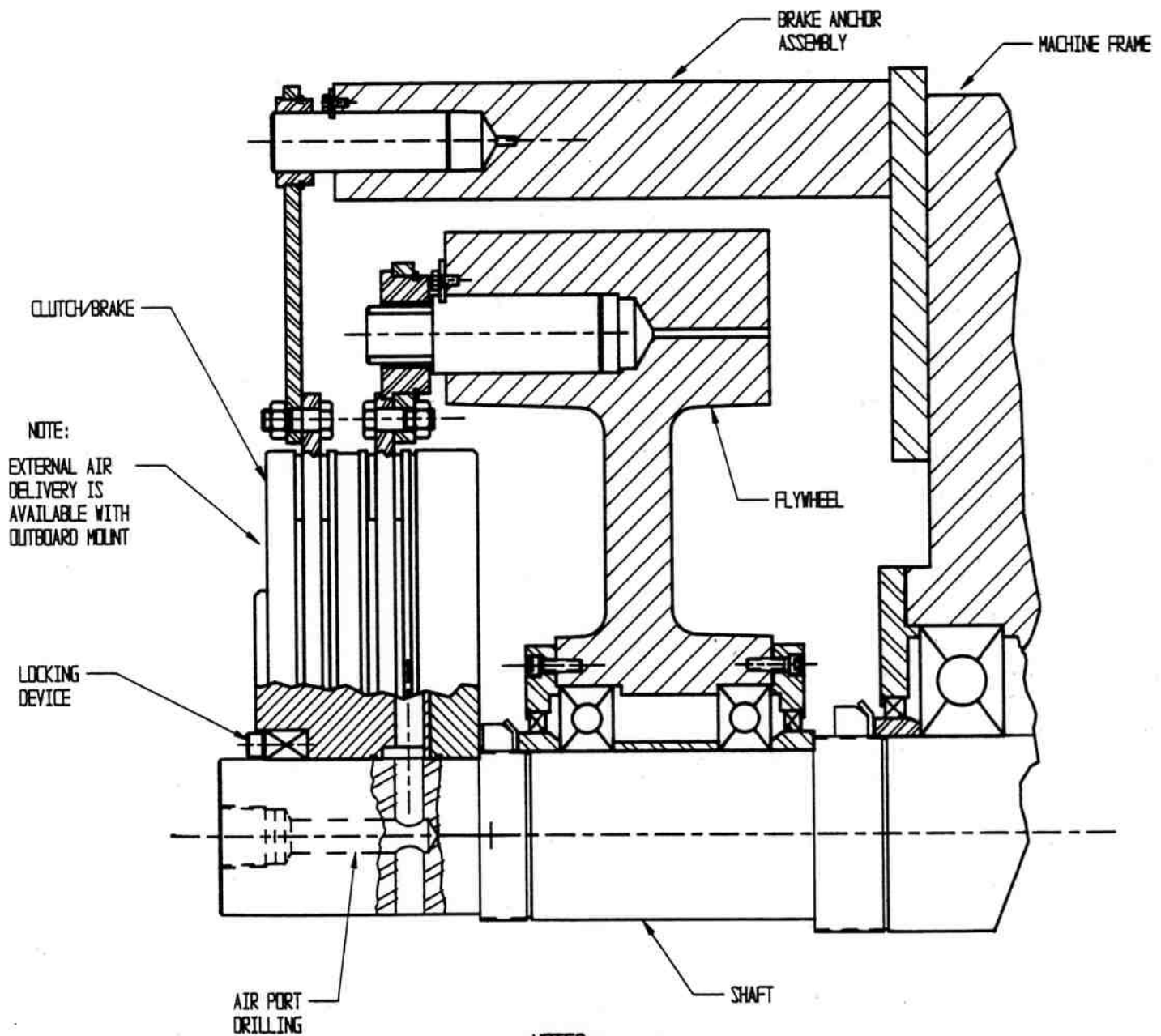


O-406 C/B, OUTBOARD MOUNT

USING LOCKING DEVICE AND O-RINGS



NOTES:

1. BRAKE ANCHOR MAY BE A SEPARATE ASSEMBLY AS SHOWN, OR AN INTEGRAL PART OF THE MACHINE FRAME.
2. O-RINGS ARE SHOWN FOR SEALING SHAFT TO C/B HUB. OTHER METHODS ARE POSSIBLE.