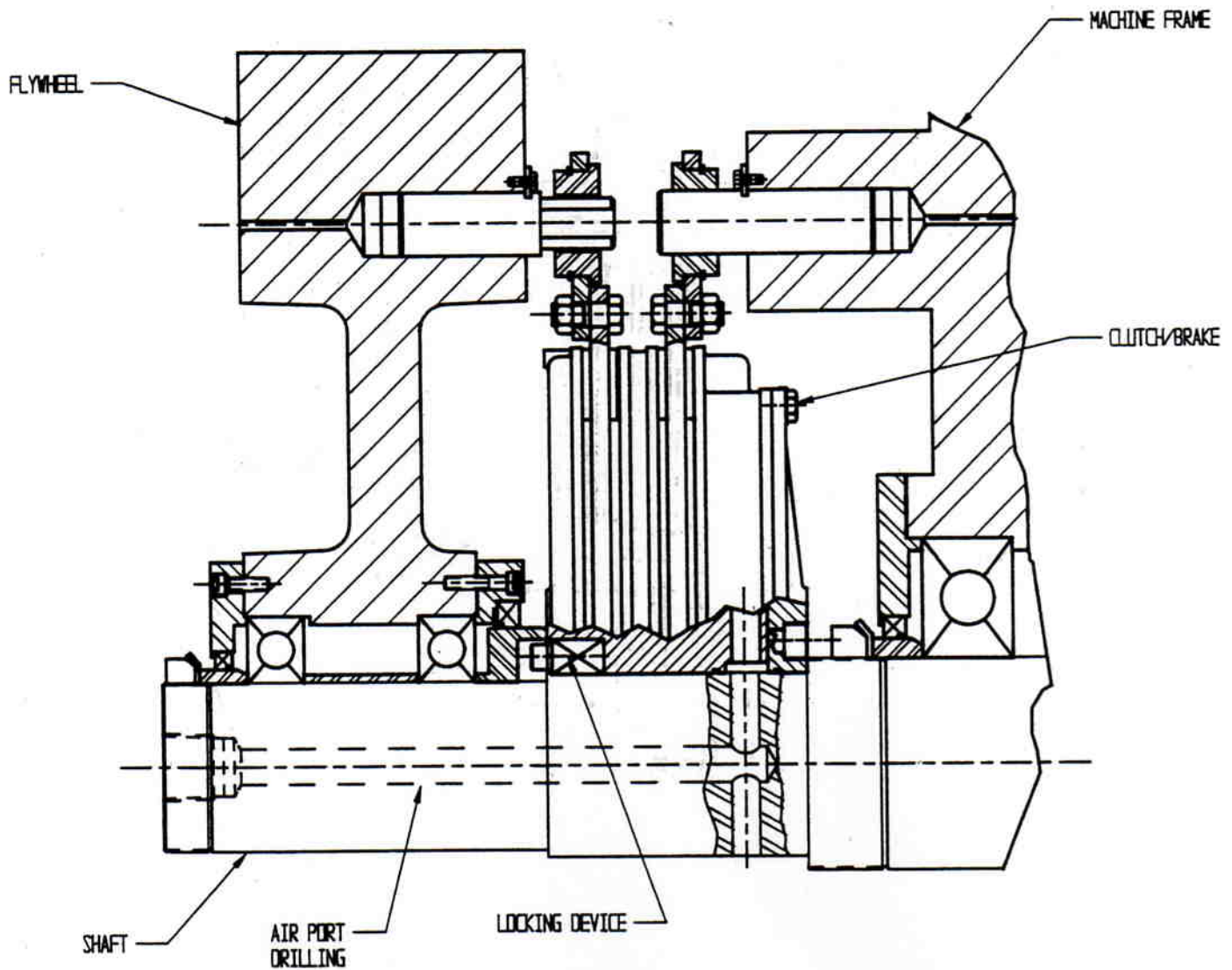


# 0-420 C/B, INBOARD MOUNT

USING LOCKING DEVICE AND O-RINGS



## NOTES:

1. BRAKE ANCHOR(S) MAY BE A PART OF THE MACHINE FRAME AS SHOWN, OR SEPARATE PARTS BOLTED OR WELDED ON.
2. O-RINGS ARE SHOWN FOR SEALING SHAFT TO C/B HUB. OTHER METHODS ARE POSSIBLE.