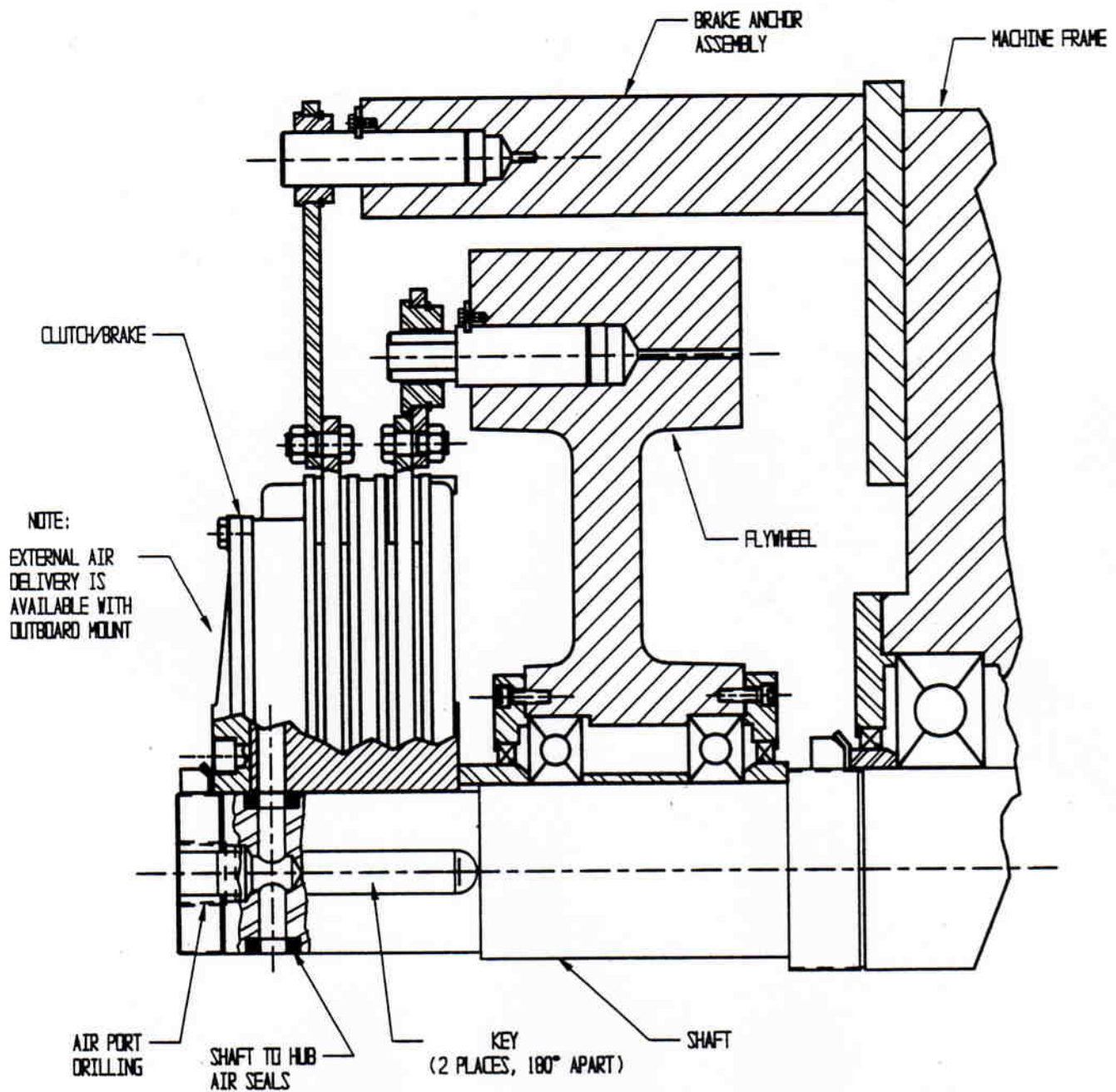


O-420 C/B, OUTBOARD MOUNT

USING 2 KEYS, 180° APART AND SHAFT TO HUB AIR SEALS



NOTES:

1. BRAKE ANCHOR MAY BE A SEPARATE ASSEMBLY AS SHOWN, OR AN INTEGRAL PART OF THE MACHINE FRAME.
2. SHAFT TO HUB SEALS ARE SHOWN FOR SEALING SHAFT TO C/B HUB. OTHER METHODS ARE POSSIBLE.